



PERSONAL DETAILS


 Kampstraat 76
6466BW Kerkrade (NL)

 chriswolters.nl

 chris.wolters@live.nl

 +31 (0)6 50680289

 Dutch

 20-07-1956

LANGUAGES

Dutch



English



German



IT-KNOWLEDGE

MS Office



AutoCad



Autodesk Inventor Professional



SAP-PM module



COMPETENCIES

Helpful



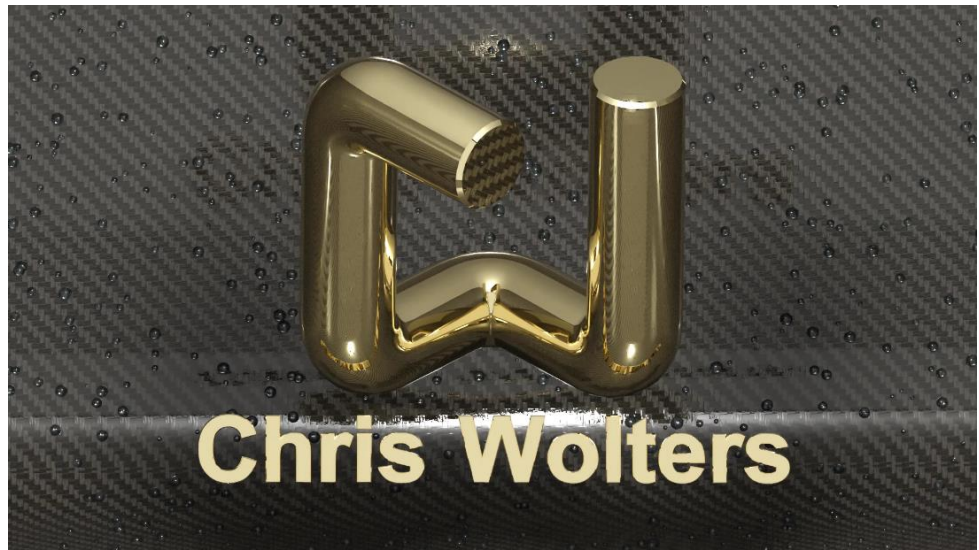
Goal oriented



Enterprising



Reliable



ABOUT

Skilled and very experienced Mechanical Engineer, who in the recent years focused on designing and improving products, constructions, machines. Customers were, without exception, very satisfied with the effort and results achieved. Is always in search of solutions and is goal and result oriented with a pragmatic approach.

EDUCATION

FONTYS HOGESCHOOL Eindhoven
HBO
▪ Bachelor Mechanical Engineer

WORK EXPERIENCE

2018-2020 Chris Wolters

Recently I changed the name of my sole proprietorship cwtechnics.com. I decided to continue my work as an independent professional under my own name. During this period I worked on projects for the following clients:

- **Ellimetal , Meeuwen-Gruitrode (Belgium)**
Mechanical Designer
Designing, developing, detailing and drawing pressure vessels, silos, storage tanks or special process equipment using Autodesk Inventor.
- **Van Schijndel Maasbracht bv, Maasbracht**
Mechanical Designer
Designing a mobile paper shredder. Installation with hydraulic drive built into a special trailer.
- **Knauf Insulation, Visé (Belgium)**
Mechanical Engineer
Making layouts for new sites/productionlines in Johor Malaysia, Lannemezan France, Eskişehir Turkey.
Working with AutoCAD Plant 3D.
Making and changing P&ID's for new and existing equipment.
- **Heraeus Electro-Nite, Houthalen (België)**
Mechanical Engineer
Designing improvements for their own production lines.
Product documentation of improvements on existing and new sensors for molten metals.
- **Veratio BV, Gouda**
Draftsman
Making 3D models from 2D drawings. Models to be used for making sheetmetal developments and production drawings.

Career

Chris Wolters

2/3

INTERESTS

 Motorbike riding |

 Technical drafting |

 Listening music |

COURSES

Quality acc. ISO 9000

Overall Equipment Effectiveness

Safe lifting

Leadership

Ansys R12

Comsol Multiphysics

Autodesk products like:

- Inventor
- 3DS MAX
- AutoCAD
- i-Logic

WORK EXPERIENCE (cont.)

2017-2018 Retraining / Switch proces Kerkrade
From Maintenance to Mechanical designer

2013-2017 **Celanese Nederland bv** Worldwide
Global Reliability Engineer

During my period as freelancer Celanese reached out to me to join the organisation. For Implementing programs to improve the mechanical integrity of 8 polymer-emulsion production plants in the Netherlands, Germany, Sweden, Spain, USA, Canada, China and Singapore.

- Leading equipment reliability improvements for all sites, regular visits to these sites for inspections and meetings.
- Provide support for the further development of "Care plans" (Maintenance plans). Implementing the RCM process.
- Monitor methods to more accurately determine the condition of equipment such as: vibration measurements, lubricant analysis, etc.
- Setting up and supervising working groups for improvement projects of: high-pressure valves, high-pressure seal barrier systems, etc.
- Advise in best practises, most effective technology.
- Chairing global meetings regarding KPIs, learning and improvement sessions.
- Set up and supervise a global spare parts plan.
- Stewardship for accident reduction.
- (re) assess criticality rankings, facilitate meetings for: FMEA, RCM, RCA, PM SAP systems, SharePoint documents.

1998-2013 **Cewe Engineering** Kerkrade
Freelance Mechanical Engineer

After the transfer of staff and customers from Maintecs b.v. I continued the Engineering services on my own. During this period I worked on projects for the following clients:

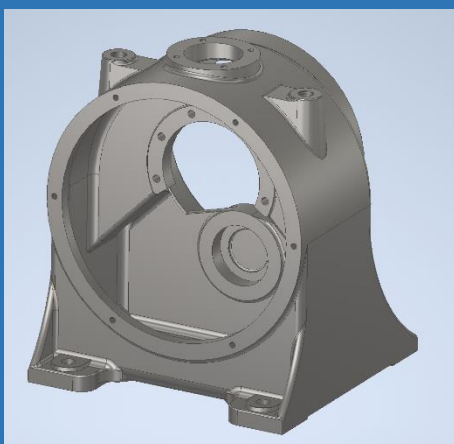
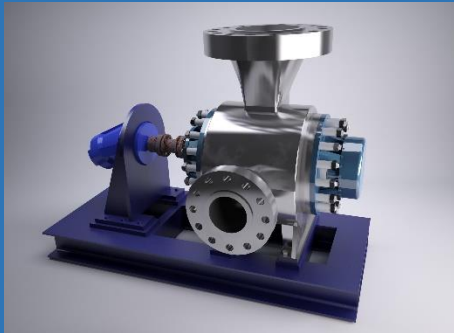
- **Sitech, Geleen**
Technical Support Engineer. Modernization of mechanical seals for 400 pumps in DSM factories.
- **Cadac Group, Heerlen**
Mechanical Designer. Designing a lifting jug for a dredger owned by Willems, Boven-Leeuwen.
- **Jacobs Engineering, Budel**
Mechanical Engineer. Engineering and specification of Rotating Equipment for Nyrstar zinc.
- **Oostwegel Special Products, Heerlen**
Mechanical Engineer. Feasibility study in process automatisaton of Okuma machines.
- **Jacobs Engineering, Meerssen**
Senior Mechanical Engineer. Engineering and specification of Rotating Equipment for the Stanyl-2 production facility from DSM Engineering Plastics.
- **Tredegar Fim Products, Kerkrade**
Machine positioner / Foreman. Setting up a new production line for special 3-layer and perforated foil.
- **Stichting Beroepsopleiding Industriële Montage, Heerlen**
Teacher. Transfer of theoretical and practical knowledge regarding technical maintenance;
- **Vinamul / Elotex, Geleen**
Maintenance Engineer. Daily support within the technical department with the execution of all occurring work on industrial chemical installations, equipment and auxiliary equipment.

Career

Chris Wolters

3/3

Pictures own work.
(customer projects
publishing not allowed)



WORK EXPERIENCE (cont.)

1994-1998

Maintecs b.v.
Director/Owner

Beek

Daily management of employees of my own repair company and assist thirdparty maintenance departments.

- acquisition, maintaining contacts with customers and suppliers
- direct management of 15 own maintenance technicians and staff
- incidental management in season to about 50 people
- purchase of technical materials, plan production, subsequent costing, invoicing
- improvement projects on pumps, agitators and their barrier fluid pressure systems

1989-1994

Feijen staalservice
Planner

Maastricht

- daily management of 12 Technicians
- purchase of technical materials, plan maintenance of machinery that consisted of sheet metal working machines such as; rolling mills, shears, press brakes, cutting burners,

1986 - 1989

Vinamul b.v.
First Technician / Planner

Geleen

- Maintenance of mainly chemical installations and equipment such as: pumps, fittings, gearboxes, shaft seals, hydraulic drives, pneumatic controls, agitators, special equipment, etc.
- purchasing technical materials, planning equipment maintenance.
- maintain contacts with suppliers and service providers.

1977 – 1986

Verenigde Buizenfabriek
Service Engineer/Fitter

Maastricht

- Carrying out maintenance, repairs and overhauls, solving malfunctions in machinery that consisted of: 2 production lines for thin and thick-walled hollow sections with various pre-processing and finishing machines.
- Operating machines for: conventional turning, milling, boring, planing, grinding, sawing.

1974 – 1977

D.S.M.
Proces-fitter

Geleen

- Mainly done training and internship as a process engineer.
- Maintenance on chemical installations under supervision.